

Technology order form

An ADNEC Group Company

EXCeL
LONDON

Valid from 1st January - 31st December 2023

Advanced rates Valid up to 28 days prior to the first day of tenancy.

Standard rates Valid within 28 to 7 days prior to the first day of tenancy.

Onsite rates Valid within 7 days prior to the first day of tenancy, availability confirmed on request.

Please note that orders will not be fulfilled until payment is received in full. Please note that all orders are subject to availability.



Click here to order these services on our Webshop

Rigging • Piped services • Cleaning & Waste • Audiovisual
and other essentials for your stand

Payments by Visa and Mastercard only.



Venue-wide Internet Wi-Fi

Price is for the duration of the event. Minimum 8mbps upload/download speed.

You will need a device with a web browser to log in, and 5ghz compatible.

A username and password will be provided on the order confirmation.

Single device Wi-Fi

10 device hotspot

20 device hotspot

30 device hotspot

40 device hotspot

Stand-based wireless access point

Hired access point for 10 users, range of 40sqm via wireless LAN.

Allows cross-communication with own SSID (16 characters max).

Users disconnect when outside range. Minimum 8mbps upload/download speed.

SSID

Password

Wireless access point - Additional 10 users

Internet connection (LAN)

Price is for the duration of the event. Comes with a 9m Ethernet cable with RJ45 termination.

The private IP address is behind the ExCeL London firewall.

1mbps for low bandwidth tasks like email and PDQ machines

2mbps for general internet browsing and email

5mbps for internet browsing, email, and 1080p video content

10mbps for internet browsing, email, video conferencing, and 1440p video content

Internet connections above 10mbps will be outside our firewall with no restrictions.

For higher bandwidths, please contact exhibitororders@excel.london

15mbps for large downloads, video conferencing and 4k video content/streaming

25mbps as above, and recommended for 4k video game streaming & high-demand software

QTY	Advanced rate	QTY	Standard rate	Onsite rate
	£103		£124	£148
	£519		£623	£747
	£702		£842	£1,011
	£1,052		£1,263	£1,516
	£1,403		£1,684	£2,020
	£1,068		£1,282	£1,538
	£255		£306	£367
	£472		£567	£680
	£763		£916	£1,099
	£1,645		£1,974	£2,369
	£2,802		£3,362	£4,035
	£4,118		£4,942	£5,930
	£6,727		£8,072	£9,686

Internet connection (LAN) with public IP address

The IP addresses are outside the firewall with no connection restrictions.

2mbps
4mbps
6mbps
8mbps
10mbps

£850	£1,020	£1,224
£1,438	£1,726	£2,071
£2,026	£2,431	£2,917
£2,350	£2,820	£3,385
£2,888	£3,466	£4,159

Network switch

10/100 Ethernet hub for networking multiple devices. UK plug provided.

1 port required for line in. Additional cables and IP addresses required for multiple devices.

8 port switch
16 port switch
24 port switch
Additional IP address
10m Ethernet cable
20m Ethernet cable

£86	£104	£124
£126	£151	£181
£166	£200	£240
£86	£104	£124
£12	£15	£18
£23	£27	£33

Network router 10/100/1000 Ethernet non-wireless router for networking multiple devices

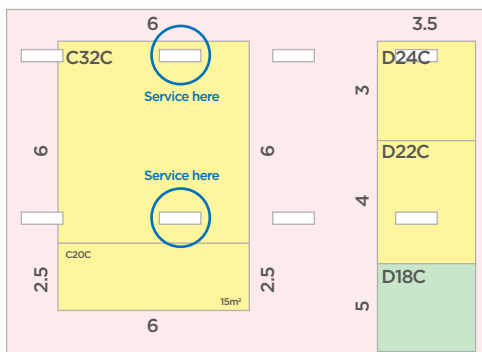
£255	£306	£367
------	------	------

SUB TOTAL (excluding VAT)	£
20% VAT	£
TOTAL (including VAT)	£

Service position

Please supply a plan (example below) specifying the location of the hardwired service. Not required for Wi-Fi.

Please note that you are liable for a full recharge of the item ordered if the location is submitted incorrect.



Key requirements

1. Circle or mark the location of the ordered service.
2. Ensure neighbouring stands are marked on the plan, so the orientation is clear.

Summary of terms

- Please note that you are liable for a full recharge of the item ordered if the location submitted is incorrect.
- ExCeL London reserves the right to adjust pricing for any service during 2023. Subject to payment being received by ExCeL London in respect of the service within 28 days of the date of the order confirmation, the price quoted on the order confirmation for that service will be honoured.

Cancellation policy

If the exhibitor or their representative notifies the Exhibitor Services Team of their order cancellation:

- 28 days or more prior to the first day of the event tenancy*, a refund or credit of 100% of the order value is offered.
- 27 to 8 days prior to the first day of the event tenancy*, a refund or credit of 50% of the order value is offered.
- Within 7 days prior to the first day of the event tenancy*, no refund or credit will be offered.

*If you are uncertain as to the first day of tenancy of the event please contact exhibitororders@excel.london

Event details

Event title:

Stand Number and/or Room Name:

Exhibitor name:

Please tick if space only

Order contact details

First name:

Last name:

Job title:

Company:

Address:

Country:

Post/zip code:

Telephone:

Email:

VAT ref:

Direct Mail Opt-in

Please tick if you are a contractor

Invoice details

These are the details as they will appear on your invoice (this cannot be changed at a later date)

Same as order contact details:

Please complete this section if different from Order contact details.

First name:

Last name:

Job title:

Company:

Address:

Country:

Post/zip code:

Telephone:

Email:

VAT ref:

Payment details

Payment Method: Bank Transfer

Credit Card (*Visa and Mastercard only*)

PO reference:

Important

Services will not delivered until full payment is received.

This order is accepted on the understanding that full ExCeL Event Services Terms and Conditions apply (available [here](#))